

MODEL 796RBF

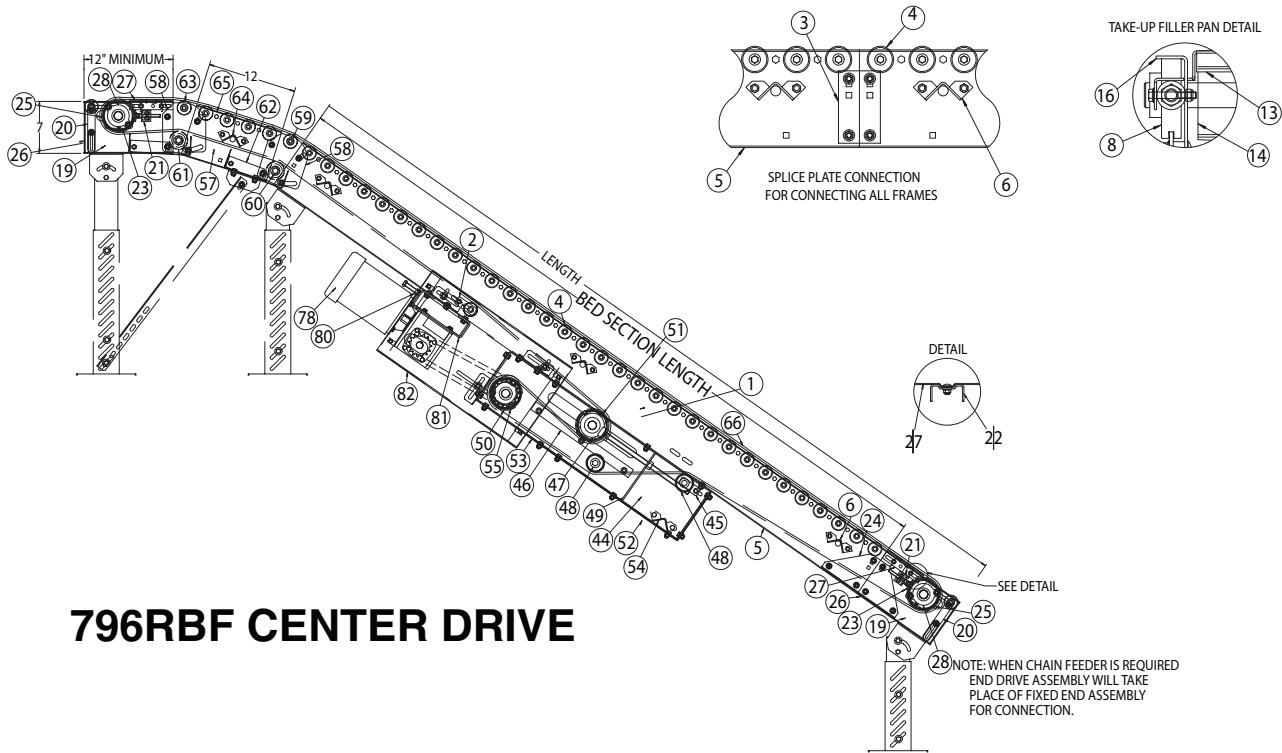
PARTS LIST

Item #	Description	Item #	Description
1	796RB Intermediate bed assembly	22	Bed pan brace (27" BF & Above)
2	1.9 Roller keeper	23	Bearing push plate
3	splice Plate	24	Bed joint mounting angle
4	196S Roller Assembly	25	6" idler pulley assembly
5	Medium duty side channel 12"-120"	26	6" fixed & end drive plate (LH/RH)
6	Frame crossbrace	27	Filler pan
7	4" end take-up assembly	28	4 hole flange bearing w/1-7/16" bore
8	Take-Up Bearing Assembly	29	4" end drive assembly
9	Safety pop-out roller assembly	30	Safety pop-out roller assembly
10	4" Take-up bearing guide	31	Bearing take-up mounting angle
11	Bolt-in butt coupling	32	Bed pan brace (27" BF and above)
12	4" take-up bed joint mounting angle (LH/RH)	33	Bearing push plate
13	4" take-up filler pan assembly	34	Bed joint mounting angle
14	4" idler pulley assembly	35	4" drive pulley assembly
15	196S roller assembly	36	4" fixed & end drive plate (LH/RH)
16	4" take-up plate (LH/RH)	37	Filler pan
17	Bearing guide spacer	38	2 hole flange bearing w/1-3/16" bore
7	6" end take-up assembly	29	6" drive end assembly
8	Take-Up Bearing Assembly	30	Safety pop-out roller assembly
9	Safety pop-out roller assembly	31	Bearing take-up mounting angle
10	6" Take-up bearing guide	32	Bed pan brace (27" BF and above)
11	Bolt-in butt coupling	33	Bearing push plate
12	6" take-up bed joint mounting angle (LH/RH)	34	Bed joint mounting angle
13	6" take-up filler pan assembly	35	6" drive pulley assembly
14	6" idler pulley assembly	36	6" fixed & end drive plate (LH/RH)
15	196S roller assembly	37	Filler pan
16	6" take-up plate (LH/RH)	38	4 hole flange bearing w/1-7/16" bore
17	Bearing guide spacer	29	8" end drive assembly
18	Top take-up bearing guide	30	Safety pop-out roller assembly
19	4" fixed end assembly	31	Bearing take-up mounting angle
20	Safety pop-out roller assembly	32	Bed pan brace (27" BF and above)
21	Bearing take-up mounting angle	33	Bearing push plate
22	Bed pan brace (27" BF & Above)	34	Bed joint mounting angle
23	Bearing push plate	35	8" drive pulley assembly
24	Bed joint mounting angle	36	8" fixed & end drive plate (LH/RH)
25	4" idler pulley assembly	37	Filler pan
26	4" fixed & end drive plate (LH/RH)	38	4 hole flange bearing w/1-7/16" bore
27	Filler pan	39	2.5 roller keeper
28	2 hole flange bearing w/1-3/16" bore	40	Belt guard (LH/RH)
19	6" fixed end assembly	41	Snub roller belt guard
20	Safety pop-out roller assembly	42	251S roller assembly
21	Bearing take-up mounting angle	43	196S roller assembly (tread)

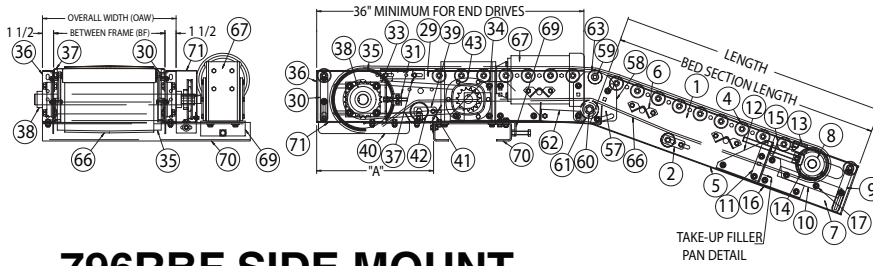
MODEL 796RBF

PARTS LIST

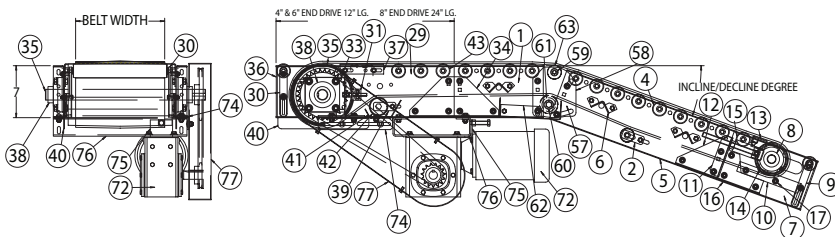
Item #	Description	Item #	Description
44	4" Center drive assembly	49	12" center drive plate weld assembly (LH/RH)
45	2.5 roller keeper	50	12" drive pulley
46	Center drive take-up bearing guide	51	8" idler pulley assembly
47	(milled) take-up bearing assembly (LH/RH)	52	12" center drive belt guard
48	251S roller assembly	53	12" center drive belt guard
49	4" center drive plate weld assembly (LH/RH)	54	Frame crossbrace
50	4" drive pulley assembly	55	4 hole flange bearing w/1-1-15/16" bore
51	4" idler pulley assembly	56	3 hole flange bearing w/1-3/16" bore
52	4" center drive belt guard	57	Single nose over assembly
53	4" center drive belt guard	58	Noseover plate
54	Frame crossbrace	59	7/16" hex washer
55	3 hole flange bearing w/1-3/16" bore	60	11/16" hex washer
44	8" center drive assembly	61	251S roller assembly
45	2.5 roller keeper	62	Snub roller guard
46	Center drive take-up bearing guide	63	196S roller assembly
47	(milled) take-up bearing assembly (LH/RH)	57	Double noseover assembly
48	251S roller assembly	58	Noseover plate
49	8" center drive plate weld assembly (LH/RH)	59	7/16" hex washer
50	8" drive pulley assembly	60	11/16" hex washer
51	4" idler pulley assembly	61	251S roller assembly
52	8" center drive belt guard	62	Snub roller guard
53	8" center drive belt guard	63	196S roller assembly
54	Frame crossbrace	64	Frame crossbrace
55	4 hole flange bearing w/1-7/16" bore	65	Side channel 12" long
44	12" center drive assembly w/4" take-up pulley	66	Belting assembly
45	Bearing push plate (LH/RH)	67	Sidemount drive kit
46	Center drive take-up bearing guide	68	Motorbase stiffener assembly
47	(milled) take-up bearing assembly (LH/RH)	69	Reducer push plate assembly
48	4" idler (snub) pulley assembly	70	Sidemount motorbase plate
49	12" center drive plate weld assembly (LH/RH)	71	sidemount chain guard assembly
50	12" drive pulley	72	End drive kit
51	4" idler pulley assembly	73	Motorbase stiffener assembly
52	12" center drive belt guard	74	Chain guard angle mount (LH/RH)
53	12" center drive belt guard	75	Reducer push plate assembly
54	Frame crossbrace	76	Underneath motorbase plate
55	4 hole flange bearing w/1-1-15/16" bore	77	Chain guard assembly
56	3 hole flange bearing w/1-3/16" bore	78	Center drive kit
44	12" center drive assembly w/6" or 8" take-up pulley	79	Motorbase stiffener assembly
45	Bearing push plate (LH/RH)	80	Reducer push plate assembly
46	Center drive take-up bearing guide	81	Underneath motorbase plate
47	Take-up bearing assembly w/1-7/16" bore	82	Center drive chain guard assembly
48	4" idler (snub) pulley assembly		



796RBF CENTER DRIVE



796RBF SIDE MOUNT




796RBF END MOUNT

Specify **Unit Serial Number** when ordering replacement parts to ensure proper allocation of components. **Recommended Spare Parts are shown in red.** Charted are item numbers and part descriptions. When ordering use example below.

Example: Need a replacement Center drive it for 796RBF

Part No: SN 123456 - 78 - Center drive kit



ROACH CONVEYORS
 808 HIGHWAY 463
 TRUMANN, AR 72472
 TEL. 870-483-7631

SERIAL NO. 123456